

RUN WITH RAM TRAILER



LPG GROUP

35 m³ SKID TANK WITH
2 PCS SCALE FOR FILLING CYLINDER



TECHNICAL SPECIFICATION

35 m³ SKID TANK WITH 2 PCS SCALE FOR FILLING CYLINDER

BRAND	RAM
TYPE	LPG SKID SYSTEM STORAGE TANK
DESIGN CODE	AD-MERKBLATTER
CAPACITY	35 m ³ Skid System
WORKING PRESSURE	17.5 bar
TEST PRESSURE	26.5 bar
WORKING TEMPERATURE	Min. -20°C / Max. + 50 °C
HEAD TYPE	Elliptical
MATERIAL	DIN EN 10028 / P 355 GH

TANK DETAILS:

MATERIAL

- The material that will be used in Body and Heads:
 - The material will be 3.1 certificated.
 - Used material will be according to EN 10028 (P355 GH)

PRODUCTION

- The production will be done in the framework of the defined standards.
- The material, which will be used for the body and head is suitable to the defined standards.

RADIOGRAPHIC (RT)

- X-ray radiographic films will be done to the welding of the tank; %25 circumoral and %100 longitudinal and T-welding.
- The responsible staff will be certificated.

WELDING PROCESS

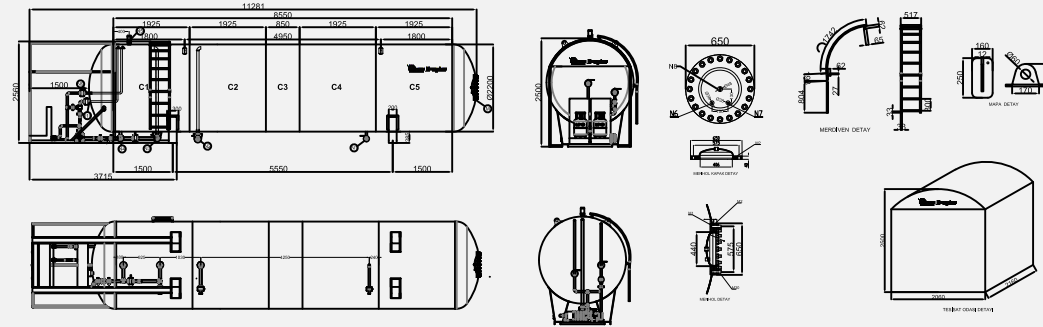
- The welding methods which will be used for the tank manufacturing are as following:
 - **SAW** : Body- Body, Body- Head Welding
 - **GTAW + SMAW** : At Tank-Nozzle welding
 - **TIG** : Pipe - Fittings and Pipe - Flange welding
- The control of the welding will be done by an independent supervisory body and the welding will be done with approved welding methods.

PENETRATION

- Penetration will be done %100 with the standards in the control of corner welding of the tank.



35 m³ SKID SYSTEM TANK MODEL



RAM İTHALAT İHRACAT İNŞAAT NAKLİYAT SANAYİ VE TİCARET LİMİTED ŞİRKETİ

Konya Organize Sanayi Bölgesi Gönülveren Sok No : 20/5 Selçuklu / KONYA

www.ramtreyler.com

info@ramtreyler.com

ramtreyler

+90 552 642 12 84

RAM TREYLER , reserves the right of making changes in the technical specifications and components without making any prior notice. Some components seen on the photographs and specifications seen here may not be standard features of the vehicles. There may have been some changes after publication of this document. No right can be claimed on a sign or numbers used by seller or buyer to define a product on ordering. Differences in colors are due to printing techniques.

